

Gate-1

FURUNO FINLAND OY

Gate-1

Route

Weather

Warnin

12:00

13:00

14:00

15:00

16:00

17:00

18:00

19:00

Compatible with
Pay As You Sail (PAYS)

Automatic transfer of
charts and permits to
ECDIS network

DNV GL certified
460- Gateway for bridge
communication
networks



FURUNO FINLAND OY

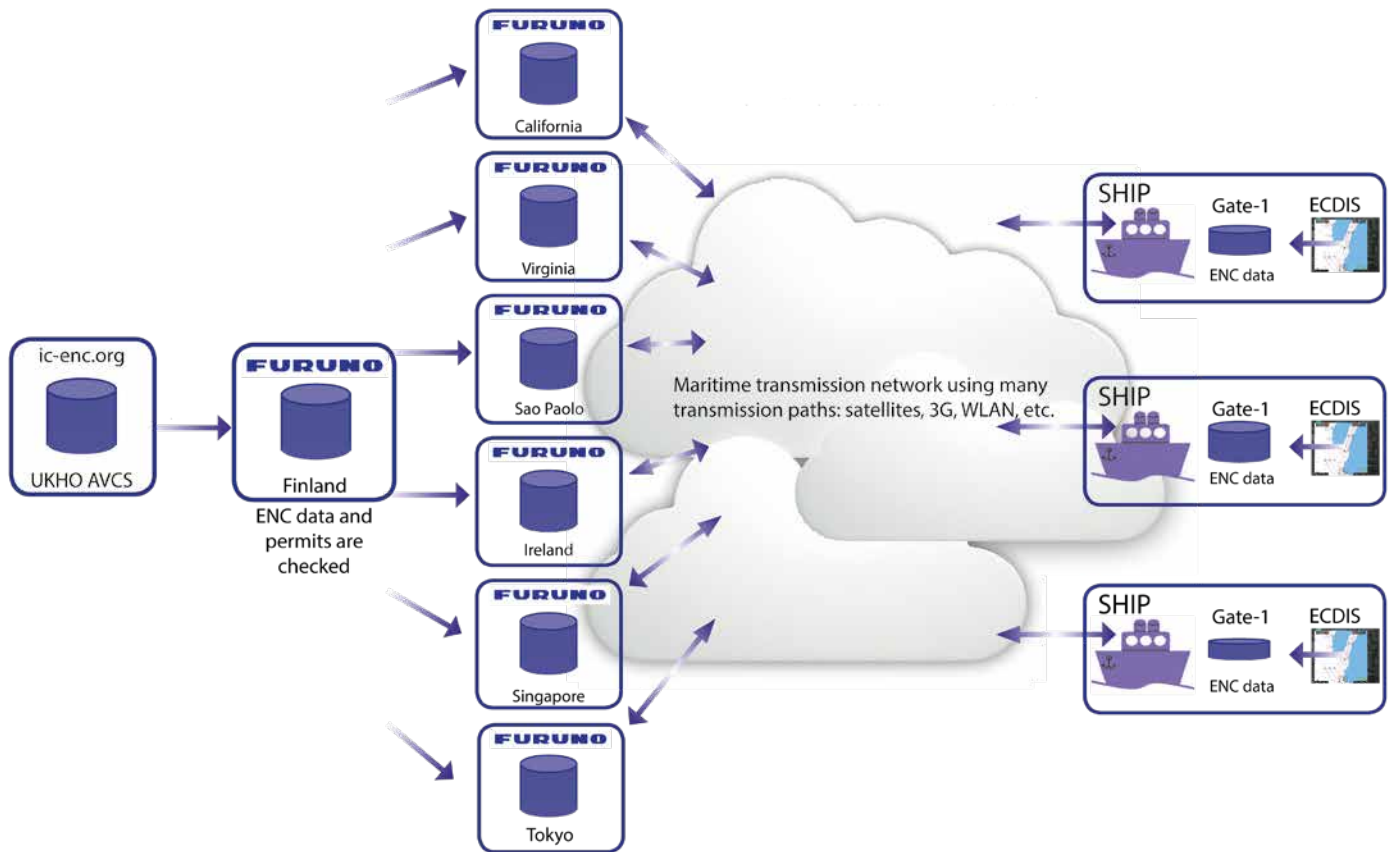
Supports both traditional chart license management per voyage and Pay As You Sail (PAYS)



- Gate-1 contains a complete set of virtual chart DVD disks
- Automatic transfer of UKHO permits, base and update DVDs on board
- Data connections are authenticated and encrypted
- Smart usage of bandwidth in the background
- Cyber secured, not visible or connectable from shore side
- DNV GL certified 460- Gateway for bridge communication networks according to IEC 61162-460
- PAYS position reporting every 5 minutes through Gate-1 service

- No moving parts
- No need for using physical DVDs or virus prone USB sticks
- No extra hardware required for PAYS

Principle of operation



- Furuno Finland has a long history of dealing with digital chart delivery. We check the content of all chart material on a weekly basis and upload the DVDs to our distribution servers around the world.
- The ships will automatically pick the new data from the closest distribution server when the ship needs updated charts.
- Worldwide PAYS charts are kept up-to-date weekly. There is no need for the crew to define any PAYS area of operation.

Specifications

Power consumption: 12 VDC / 5W

Complies with:

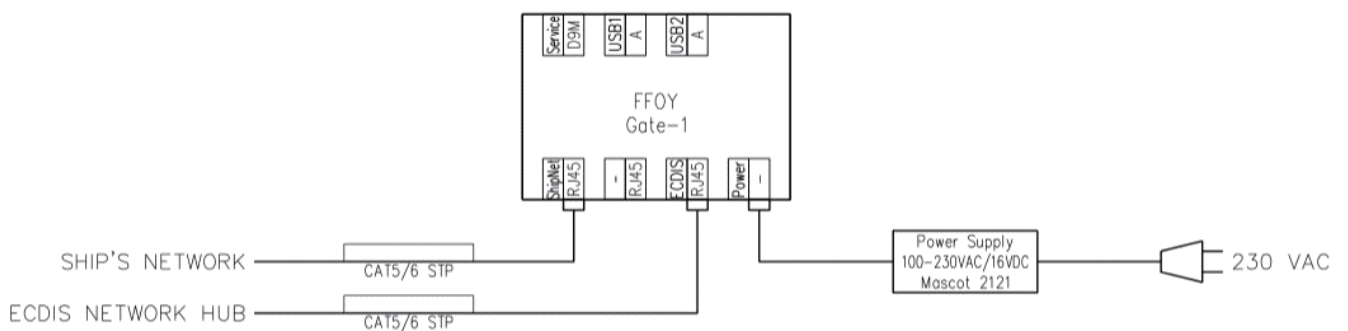
- DNV GL Rules for classification
- DNV GL Statutory interpretations
- IMO resolution A.694(17)
- MSC/Circ.891
- MSC/Circ.1091
- MSC.1/Circ.1503

Tests carried out:

- IEC 60945
- IEC 61162-460



Interconnection diagram



Your Furuno contact: